



PANEL SS550

DESCRIPTION

PRODUCT COVERED

This section of the procedure covers a steel roof panel which is identified as "Panel SS550." The panel is produced at the job sites by portable rolling machines. The panel is roll formed from No. 24 MSG minimum gauge coated steel to the configuration shown in ILL. 1. The panel may also have a paint over coating. The Report included in this Procedure, following this section, is to be examined for comparison with copies of the Report in stock. The Report issue date is November 13, 1997.

SPECIFICATION OF FINISHED PRODUCT

THICKNESS

The base metal thickness if the steel used in the fabrication of the panel shall be not less than .0225 in. (No. 23 MSG minimum gauge). This thickness shall not include the coating or any paint finish.

DIMENSIONS

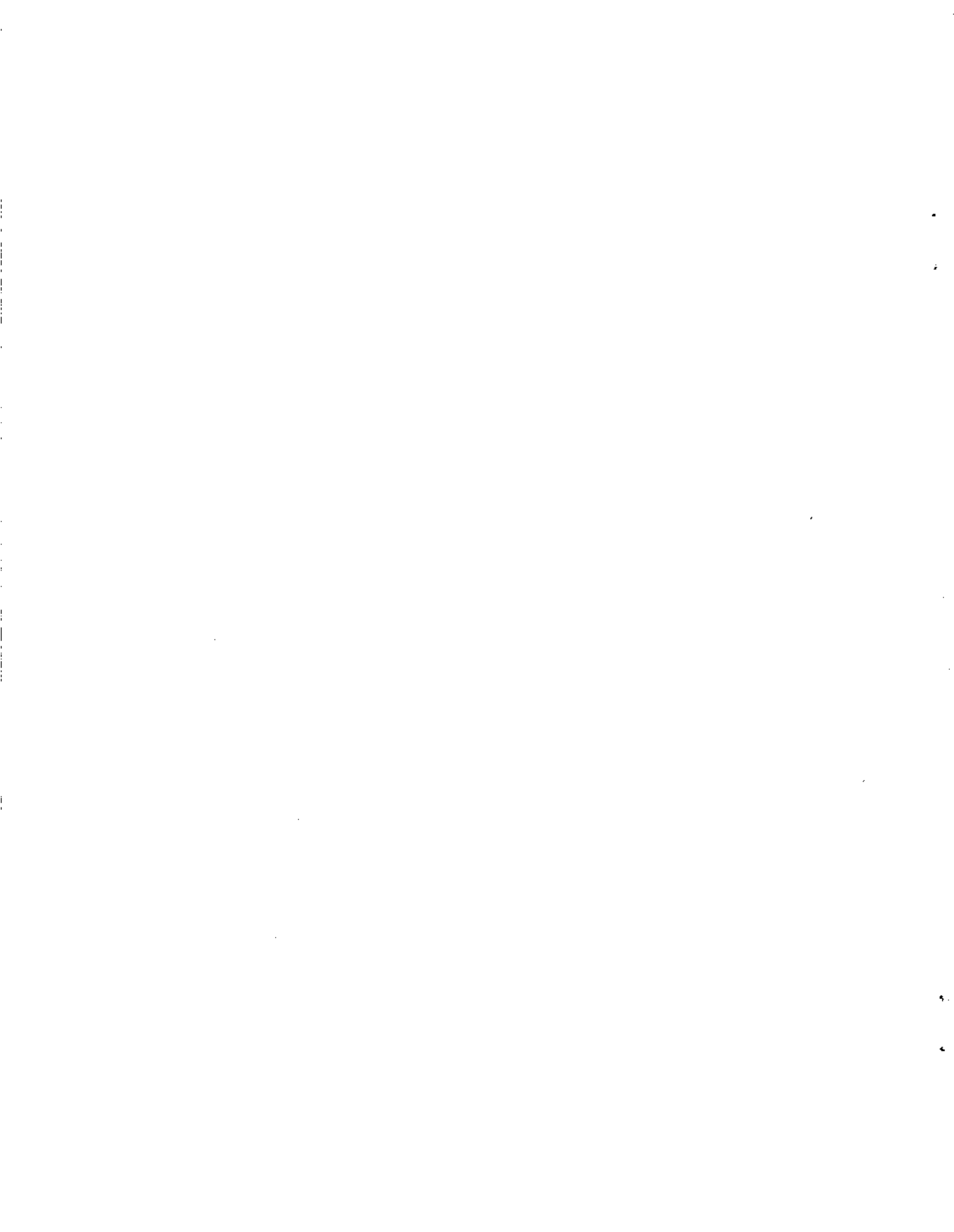
The cross-section dimensions of the panel shall be in accordance with the cross-section shown in ILL. 1.

STRENGTH

The strength records of the steel shall be reviewed. The steel used shall conform to ASTM A653 Grade 50 specifications or the minimum yield point of the steel shall be 50,000 psi.

Listed Construction Numbers

#373





333 Pfingsten Road
Northbrook, Illinois 60062-2096
(847) 272-8600
FAX No. (847) 272-8129
MC Mail No. 254-3343
Telex No. 6502543343



File R14692
Project 97NK2305

November 12, 1997

CLASSIFICATION BY REPORT

of

METAL ROOF DECK PANEL AND ROOF DECK FASTENERS
IN ROOF DECK CONSTRUCTIONS

New Tech Machinery Corp.
Denver, CO

Copyright © 1997 Underwriters Laboratories Inc.

Underwriters Laboratories Inc. authorizes the above named company to reproduce this Report provided it is reproduced in its entirety.

JH:tjm
NKDLS

A not-for-profit organization
dedicated to public safety and
committed to quality service

GENERAL

The subject of this Report is a Roof Deck Panel which is identified as "Snap Panel 550". The panel is used in Construction No. 373 as described in UL's Roofing Materials and Systems Directory. In addition to the roof deck panel, the construction utilized steel purlins, Classified panel clip and screw fasteners.

The panel in this Report was previously Classified for New Tech Machinery Corp. by Underwriters Laboratories Inc. for the same construction number. The panel was identified previously as "12 in. 550 Sure-Lock Snap". The panel in this Report is the same as previously Classified.

The roof deck panel is roll-formed at the construction site. Therefore, the information provided in this Report replaces the Laboratories' usual factory Follow-Up Service Program for metal roof deck panels for which Follow-Up Service is normally conducted at the point of manufacture. The program for companies that are "Classified by Report" consists of keeping supplies of up-to-date Reports that are to be distributed to any interested party and requiring the roll forming machines to be covered by the Underwriters Laboratories Inc. Certificate Service.

The roof deck panel clip is covered by the usual Follow-Up Service Program of Underwriters Laboratories Inc. with factory monitored quality control. The method of use and a description of the Classified panel clip are shown in the Roof Deck Construction.

D E S C R I P T I O N

Metal Roof Deck Panels - The roof deck panel is 12 in. wide and 1-1/2 in. high at the female rib. The panel is fabricated from coated steel having a minimum thickness of 0.0225 in. (No. 24 MSG) and a minimum yield strength of 50,000 psi (ASTM A653, Grade 50). The panel will be Classified as "Metal Roof Deck Panels" in Underwriters Laboratories Inc.'s Roofing Materials and Systems Directory and will be covered under our Follow-Up Service. The panel is designated as "Snap Panel 550" by the manufacturer and is shown in ILL. 1.

C O N C L U S I O N

The following conclusions represent the judgement of Underwriters Laboratories Inc., based upon the results of the examination presented in this Report as they relate to established principles and previously recorded data.

UPLIFT RESISTANCE:

The roof deck assembly constructed of the materials and in the manner described in Roof Deck Construction No. 373 will afford a Class 90 uplift resistance rating based on the method of test.

Secondary supports (beams, purlins, joists, bulb tees, lateral bracing, etc.), connections of these assemblies to the main structural members (girders, columns, etc.), and construction details along the edges of the roof or around roof openings (mechanical equipment, chimneys, etc.) have not been evaluated.

PRACTICABILITY:

The materials used in the assembly can be readily installed by qualified workmen with tools and methods commonly used for construction work of a similar nature.

The materials and installation procedures for the original test assembly described in this test were judged to be significant factors in the uplift resistance of the construction.

CONFORMITY:

The original assembly was tested in accordance with the Standard UL 580, entitled "Tests For Uplift Resistance Of Roof Assemblies."

CLASSIFICATION AND FOLLOW-UP SERVICE:

The roof deck panel, as described herein, is judged to be eligible for Classification and Follow-Up Service of Underwriters Laboratories Inc. Under the Service, the manufacturer is authorized to use the Laboratories' Certification of Classification on the forming machine to produce products which comply with the fabrication specifications in this Report, as shown by ILL. 1, and any other applicable requirements of Underwriters Laboratories Inc. Only those products which are produced with a Certified machine are considered as Classified by Underwriters Laboratories Inc.

In addition, UL Classification Report Reference No. R14692, Project 97NK2305, dated November 12, 1997, should be consulted for compliance with material specifications and metal panel design.

See UL Roofing Materials and Systems Directory

Report by:

James Hatcher
(tjm)

JAMES HATCHER
Staff Engineer

Reviewed by:

Kenneth Rhodes
(tjm)

KENNETH RHODES
Associate Managing Engineer

Construction No. 373

1. Metal Roof Deck Panels* - No. 24 MSG min. thickness, coated steel. Width 12 in. length at female rib 1-1/2 in. Panels continuous at two or more spans with no end laps. A bead of sealant may be used at panel side joints.

New Tech Machinery Corp. - "Snap Panel 550"

2. Roof Deck Fasteners* - (Panel Clips) - One piece assembly, 0.033 in. min. thickness. Grade 408 or 304 stainless steel, 4 in. wide, 1-5/8 in. high. One panel clip located at each purlin intersection.

U.S. Metals Corp. - "Snap Lock Clip - 550"

3. Panel Fasteners - (Screws) - Fasteners used for panel-clip-to-purlin attachment to be No. 10-16 by 9/16 in. long self-drilling, self-tapping, pancake head, No. 2 Phillips drive, No. 3 point, plated steel screws. Two screws per clip to be used, inserted through 1/4 in. diam guide holes.
4. Purling - No. 16 MSG min. thickness steel (50,000 psi min. yield strength). Spacing to be 48 in. OC.

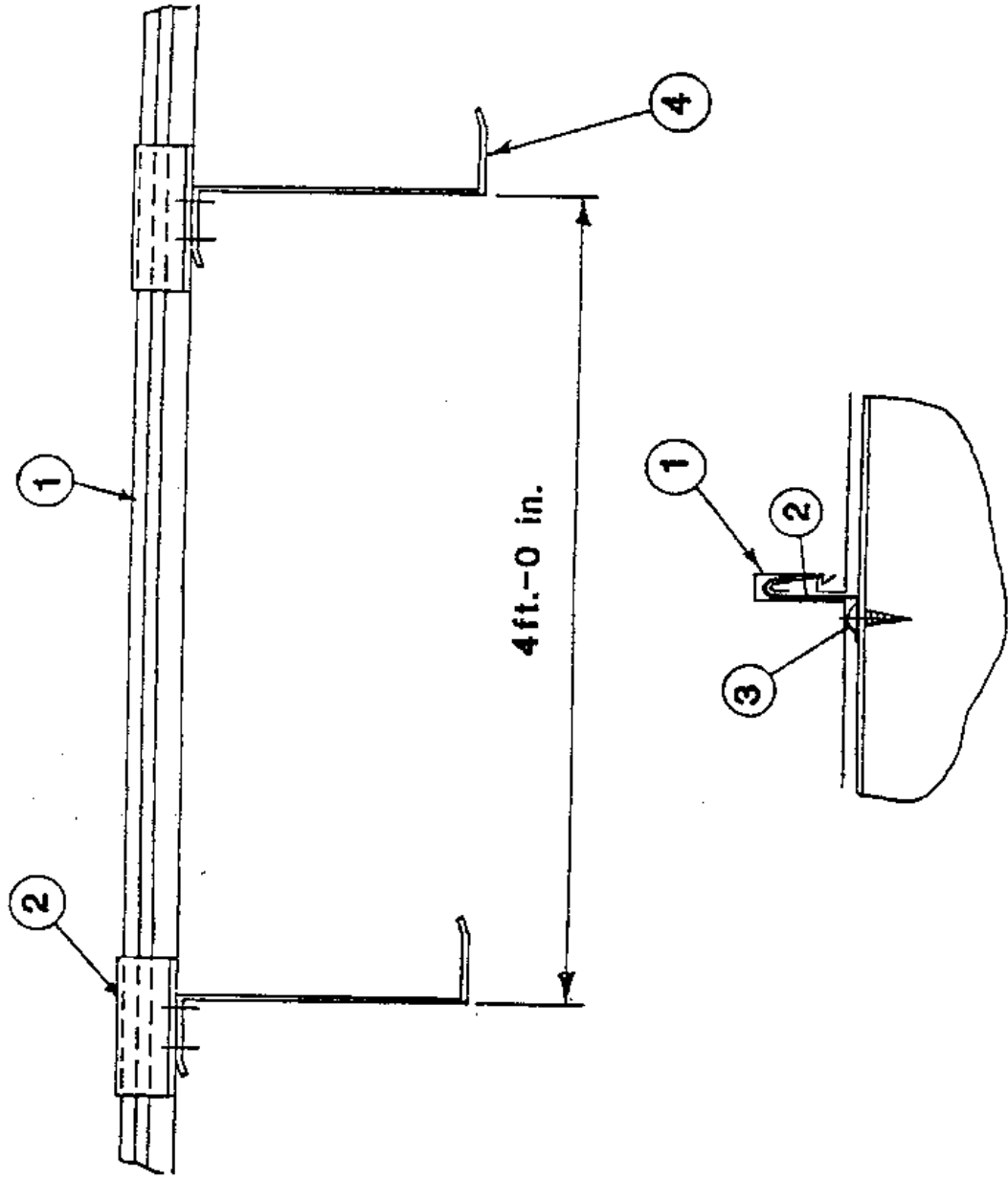
Refer to General Information, Roof Deck Construction (Roofing Materials and Systems Directory) for items not evaluated.

*Bearing the UL Classification Marking

CONSTRUCTION NO. 373

UPLIFT - CLASS 90

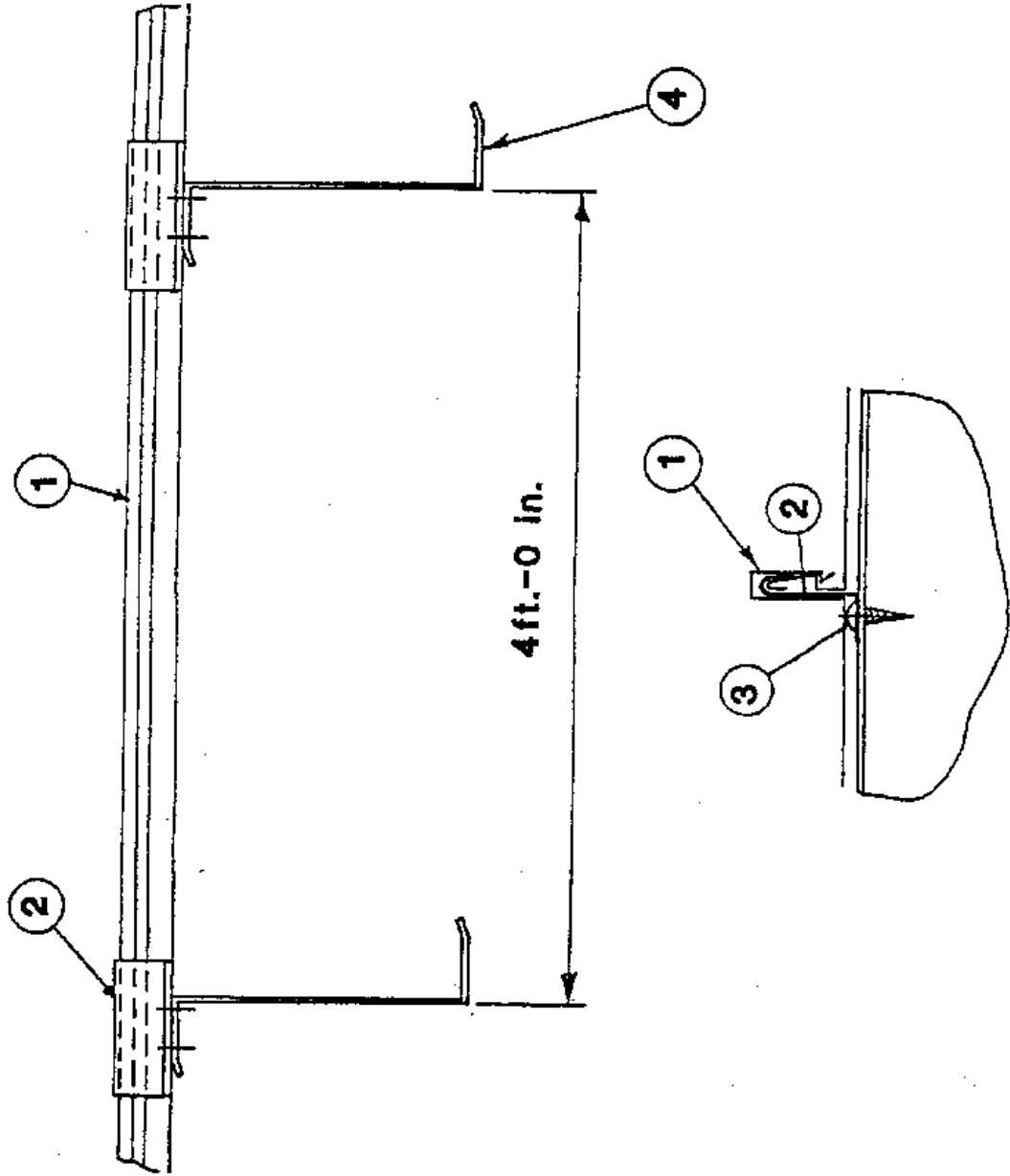
FIRE NOT INVESTIGATED



PART 1 - SEE PART 2 FOR DESCRIPTION OF NUMBERED ITEMS
CONSTRUCTION NO. 373

UPLIFT - CLASS 90

FIRE NOT INVESTIGATED





Section Analysis Report

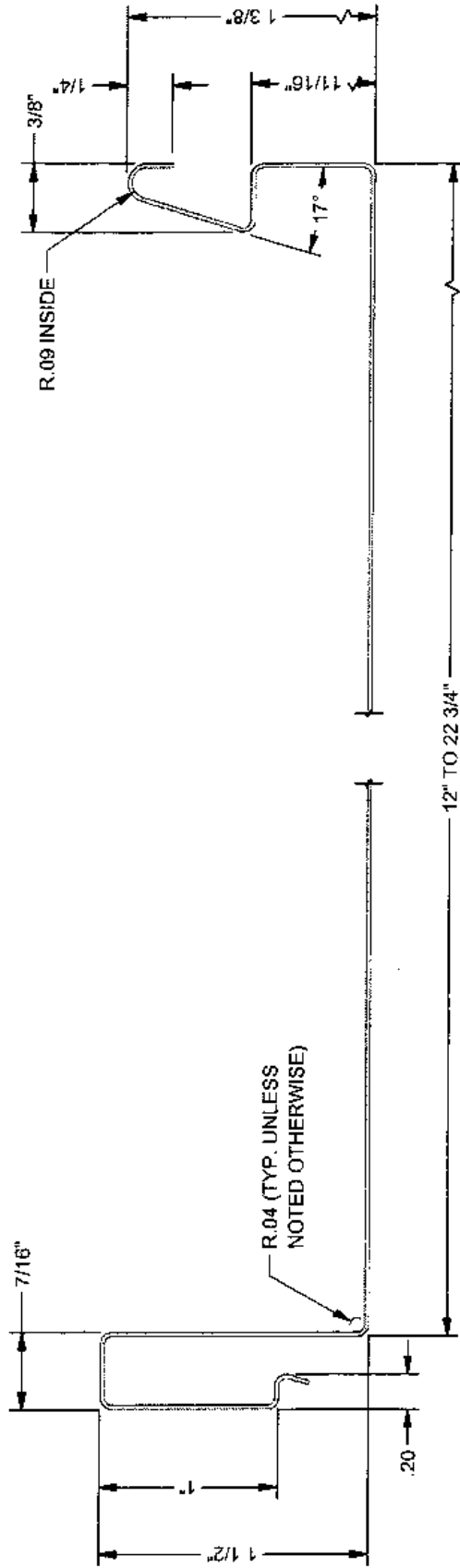
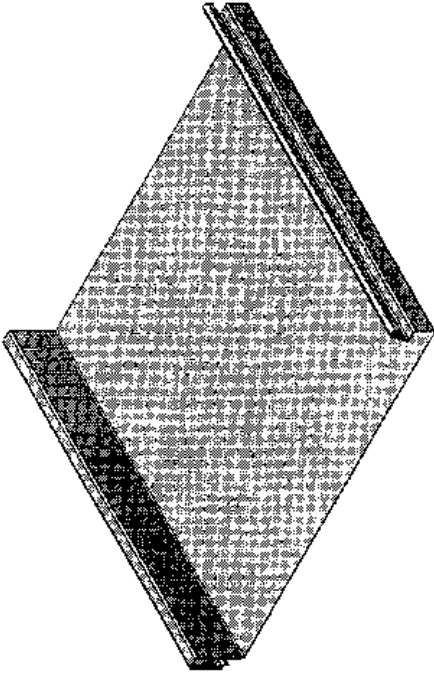
SS550 PANEL

PANEL ANALYSIS REPORT AND SPAN LOAD TABLES

Prepared For:
New Tech Machinery Corp.
1300 40th Street
Denver, CO 80205-3311

Prepared By:
John F. Butts & Associates, Inc.
2480 Vantage Drive
Colorado Springs, CO 80919

APRIL 22, 1999
JOB NO. 183-04



NOTE:
MATERIAL USAGE: 5 1/8"

MATERIAL		LENGTH	FINISH	NEW TECH MACHINERY CORP.			
REV	ECN NO.	DATE	RELEASED BY	DRAWN BY	PART NAME	SHEET	REVISION
				SAWYER	SS550 PANEL PROFILE	1 OF 1	0
TOLERANCES				CHECK BY	SCALE	PART NUMBER	
.XX = ± .01				DATE		SS550	
.XXX = ± .005				9/11/2002			
FRACTION = ± 1/32"							
ANGLE = ± 1/2°							
REVISION HISTORY							



JOHN F. BUTTS & ASSOC., INC.

CONSULTING ENGINEERS
2480 VANTAGE DRIVE COLORADO SPRINGS, CO 80919
(719) 598-7666 FAX (719) 598-0258

April 22, 1999

New Tech Machinery Corporation
1300 40th Street
Denver, CO 80205-3311

Re: Panel Analysis Report
New Tech SS150 Panel
New Tech SS200 Panel
New Tech SS210-A Panel
New Tech SS550 Panel
New Tech SS675 Panel
JFBA Job No. 183-04

Gentlemen:

Per your request, we have completed an analysis of the above referenced panels. The panels, with the structural properties indicated in this report, is certified to meet or exceed the requirements of the following design specifications:

American Iron and Steel Institute, *Specifications for the Design of Cold-Formed Steel Structural Members*, 1996 edition.

The following documents are enclosed for your records:

Panel cross-section
Panel analysis, pages 1 to 183
Panel Span Load tables, pages S1 to S71

Panels widths greater than 14 inches exceed the AISI allowable ratios for the panel width element. The AISI specifications, Section B1.1(a) states:

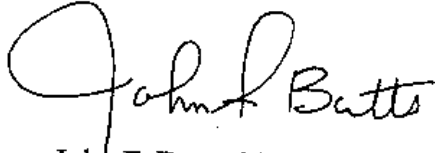
“...stiffened elements having w/t ratios larger than 500 can be used with adequate design strength to sustain the required loads; however; substantial deformations of such elements usually will invalidate the design equations of this specification.”

Before using the enclosed panel span tables, you will need to review the analysis reports for each panel. It is our opinion that the panels with w/t ratio elements exceeding 500 should be verified by testing before using the respective panel span tables.

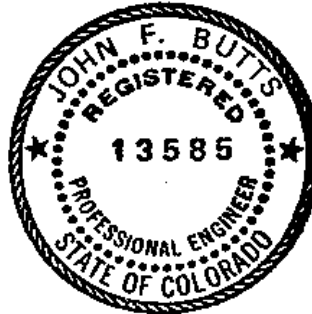
Please note that the panel analysis and Load Tables have been evaluated based on the assumption that the proper bearing, side laps, end laps, bracing, anchorage and structural supports are being utilized in the member's installation. We do not certify the installation method, attachment and supporting materials.

If you have any questions, please call or write the undersigned.

Sincerely,



John F. Butts, PE
President



New Tech SS550 Snap Panel

Width		12.00 in								
Alloy		ASTM A653, G50 (Fy= 50 ksi)								
Gauge		24 (0.024 in)								
ALLOWABLE STRENGTH DESIGN (ASD)										
Wind Load Factor = 1.0										
ALLOWABLE UNIFORM LOAD (PSF)										
SPAN	DEFLECTION	SPAN LENGTH (Feet)								
		2.00	2.25	2.50	2.75	3.00	3.25	3.50	3.75	4.00
1	L/180	236	186	150	124	104	88	76	66	58
	L/240	236	186	150	124	104	88	76	66	58
	L/360	236	186	150	124	104	88	76	66	56
2	L/180	236	186	150	124	104	88	76	66	58
	L/240	236	186	150	124	104	88	76	66	58
	L/360	236	186	150	124	104	88	76	66	58
3	L/180	266	212	172	142	120	102	88	77	67
	L/240	266	212	172	142	120	102	88	77	67
	L/360	266	212	172	142	120	102	88	77	67

1. Formula's used in Load Tables for FLEXURE and DEFLECTION are:

One Span - $M_p = .125wl^2$, $M_n = .125wl^2$, $x = .0130wl^4/EI$
 Two Span - $M_p = .125wl^2$, $M_n = .096wl^2$, $x = .0092wl^4/EI$
 Three Span - $M_p = .080wl^2$, $M_n = .107wl^2$, $x = .0069wl^4/EI$
 Modulus of Elasticity (E) = 29,500 ksi

2. Allowable uniform loads are determined per the following:

- a) Allowable Shear Stress (Fv) [AISI C3.2]
- b) Combined Bending and Shear [AISI C3.3]
- c) Combined Bending & Web Crippling [AISI C3.5]

3. Factors of Safety used to determine uniform loads:

Ω (Bending) = 1.67
 Ω (Shear) = 1.67
 Ω (Web Crippling) = 1.85

4. Allowance has been made for member Dead Weight.

5. Minimum panel support bearing length = 2.00 in

6. Concentrated load = 150 lb at mid-span, load width = 4 in

Simple Span : Max. Span = 4.433 ft (L/180)
 Two Span : Max. Span = 5.337 ft (L/180)
 Three Span +: Max. Span = 5.740 ft (L/180)

New Tech SS550 Snap Panel

Width	12.00 in
Alloy	ASTM A653, G50 (Fy= 50 ksi)
Gauge	24 (0.024 in)

ALLOWABLE STRENGTH DESIGN (ASD)
 Wind Load Factor = 1.0
 ALLOWABLE UNIFORM LOAD (PSF)
 SPAN LENGTH (Feet)

SPAN	DEFLECTION	SPAN LENGTH (Feet)								
		4.25	4.50	4.75	5.00	5.25	5.50	5.75	6.00	6.25
1	L/180	51	45	41	37	33	30	27	25	23
	L/240	51	45	41	37	33	30	27	25	22
	L/360	47	40	34	29	25	22	19	17	15
2	L/180	51	45	41	37	33	30	27	25	23
	L/240	51	45	41	37	33	30	27	25	23
	L/360	51	45	41	37	33	30	27	24	21
3	L/180	59	53	47	43	39	35	32	29	27
	L/240	59	53	47	43	39	35	32	29	27
	L/360	59	53	47	43	39	35	32	29	27

- Formula's used in Load Tables for FLEXURE and DEFLECTION are:
 One Span - $M_p = .125wl^2$, $M_n = .125wl^2$, $x = .0130wl^4/EI$
 Two Span - $M_p = .125wl^2$, $M_n = .096wl^2$, $x = .0092wl^4/EI$
 Three Span - $M_p = .080wl^2$, $M_n = .107wl^2$, $x = .0069wl^4/EI$
 Modulus of Elasticity (E) = 29,500 ksi

- Allowable uniform loads are determined per the following:
 - Allowable Shear Stress (Fv) [AISI C3.2]
 - Combined Bending and Shear [AISI C3.3]
 - Combined Bending & Web Crippling [AISI C3.5]

- Factors of Safety used to determine uniform loads:
 - Ω (Bending) = 1.67
 - Ω (Shear) = 1.67
 - Ω (Web Crippling) = 1.85

4. Allowance has been made for member Dead Weight.

5. Minimum panel support bearing length = 2.00 in

- Concentrated load = 150 lb at mid-span, load width = 4 in
 - Simple Span : Max. Span = 4.433 ft (L/180)
 - Two Span : Max. Span = 5.337 ft (L/180)
 - Three Span +: Max. Span = 5.740 ft (L/180)

New Tech SS550 Snap Panel

Width		14.00 in								
Alloy		ASTM A653, G50 (Fy= 50 ksi)								
Gauge		24 (0.024 in)								
ALLOWABLE STRENGTH DESIGN (ASD)										
Wind Load Factor = 1.0										
ALLOWABLE UNIFORM LOAD (PSF)										
SPAN	DEFLECTION	SPAN LENGTH (Feet)								
		2.00	2.25	2.50	2.75	3.00	3.25	3.50	3.75	4.00
1	L/180	202	159	129	106	89	76	65	57	50
	L/240	202	159	129	106	89	76	65	57	50
	L/360	202	159	129	106	89	76	65	57	47
2	L/180	202	159	129	106	89	76	65	57	50
	L/240	202	159	129	106	89	76	65	57	50
	L/360	202	159	129	106	89	76	65	57	50
3	L/180	228	181	147	122	103	87	75	66	58
	L/240	228	181	147	122	103	87	75	66	58
	L/360	228	181	147	122	103	87	75	66	58

- Formula's used in Load Tables for FLEXURE and DEFLECTION are:
 One Span - $M_p = .125wl^2$, $M_n = .125wl^2$, $x = .0130wl^4/EI$
 Two Span - $M_p = .125wl^2$, $M_n = .096wl^2$, $x = .0092wl^4/EI$
 Three Span - $M_p = .080wl^2$, $M_n = .107wl^2$, $x = .0069wl^4/EI$
 Modulus of Elasticity (E) = 29,500 ksi
- Allowable uniform loads are determined per the following:
 - Allowable Shear Stress (Fv) [AISI C3.2]
 - Combined Bending and Shear [AISI C3.3]
 - Combined Bending & Web Crippling [AISI C3.5]
- Factors of Safety used to determine uniform loads:
 - Ω (Bending) = 1.67
 - Ω (Shear) = 1.67
 - Ω (Web Crippling) = 1.85
- Allowance has been made for member Dead Weight.
- Minimum panel support bearing length = 2.00 in
- Concentrated load = 150 lb at mid-span, load width = 4 in
 - Simple Span : Max. Span = 4.444 ft (L/180)
 - Two Span : Max. Span = 5.351 ft (L/180)
 - Three Span +: Max. Span = 5.756 ft (L/180)

New Tech SS550 Snap Panel

		ALLOWABLE STRENGTH DESIGN (ASD)								
		Wind Load Factor = 1.0								
		ALLOWABLE UNIFORM LOAD (PSF)								
SPAN	DEFLECTION	SPAN LENGTH (Feet)								
		4.25	4.50	4.75	5.00	5.25	5.50	5.75	6.00	6.25
1	L/180	44	39	35	31	28	26	23	21	20
	L/240	44	39	35	31	28	26	23	21	19
	L/360	39	33	28	24	21	18	16	14	12
2	L/180	44	39	35	31	28	26	23	21	20
	L/240	44	39	35	31	28	26	23	21	20
	L/360	44	39	35	31	28	26	23	20	18
3	L/180	51	45	41	36	33	30	27	25	23
	L/240	51	45	41	36	33	30	27	25	23
	L/360	51	45	41	36	33	30	27	25	23

1. Formula's used in Load Tables for FLEXURE and DEFLECTION are:
 One Span - $M_p = .125wl^2$, $M_n = .125wl^2$, $x = .0130wl^4/EI$
 Two Span - $M_p = .125wl^2$, $M_n = .096wl^2$, $x = .0092wl^4/EI$
 Three Span - $M_p = .080wl^2$, $M_n = .107wl^2$, $x = .0069wl^4/EI$
 Modulus of Elasticity (E) = 29,500 ksi

2. Allowable uniform loads are determined per the following:
 a) Allowable Shear Stress (Fv) [AISI C3.2]
 b) Combined Bending and Shear [AISI C3.3]
 c) Combined Bending & Web Crippling [AISI C3.5]

3. Factors of Safety used to determine uniform loads:
 Ω (Bending) = 1.67
 Ω (Shear) = 1.67
 Ω (Web Crippling) = 1.85

4. Allowance has been made for member Dead Weight.

5. Minimum panel support bearing length = 2.00 in

6. Concentrated load = 150 lb at mid-span, load width = 4 in
 Simple Span : Max. Span = 4.444 ft (L/180)
 Two Span : Max. Span = 5.351 ft (L/180)
 Three Span +: Max. Span = 5.756 ft (L/180)

New Tech SS550 Snap Panel

Width	14.00 in
Alloy	ASTM A653, G50 (Fy= 50 ksi)
Gauge	24 (0.024 in)

ALLOWABLE STRENGTH DESIGN (ASD)
Wind Load Factor = 1.0
ALLOWABLE UNIFORM LOAD (PSF)
SPAN LENGTH (Feet)

SPAN	DEFLECTION	6.50	6.75	7.00	7.25	7.50	7.75	8.00	8.25	8.50
1	L/180	18	17	15	14	13	12	11	11	10
	L/240	17	15	13	12	11	10	9	8	7
	L/360	11	10	9	8	7	7	6	5	5
2	L/180	18	17	15	14	13	12	11	11	10
	L/240	18	17	15	14	13	12	11	11	10
	L/360	16	14	12	11	10	9	8	8	7
3	L/180	21	19	18	17	16	14	13	13	12
	L/240	21	19	18	17	16	14	13	13	12
	L/360	21	19	17	15	14	12	11	10	9

1. Formula's used in Load Tables for FLEXURE and DEFLECTION are:

One Span - $M_p = .125wl^2$, $M_n = .125wl^2$, $x = .0130wl^4/EI$
 Two Span - $M_p = .125wl^2$, $M_n = .096wl^2$, $x = .0092wl^4/EI$
 Three Span - $M_p = .080wl^2$, $M_n = .107wl^2$, $x = .0069wl^4/EI$
 Modulus of Elasticity (E) = 29,500 ksi

2. Allowable uniform loads are determined per the following:

- a) Allowable Shear Stress (Fv) [AISI C3.2]
- b) Combined Bending and Shear [AISI C3.3]
- c) Combined Bending & Web Crippling [AISI C3.5]

3. Factors of Safety used to determine uniform loads:

Ω (Bending) = 1.67
 Ω (Shear) = 1.67
 Ω (Web Crippling) = 1.85

4. Allowance has been made for member Dead Weight.

5. Minimum panel support bearing length = 2.00 in

6. Concentrated load = 150 lb at mid-span, load width = 4 in

Simple Span : Max. Span = 4.444 ft (L/180)
 Two Span : Max. Span = 5.351 ft (L/180)
 Three Span +: Max. Span = 5.756 ft (L/180)

New Tech SS550 Snap Panel

Width		16.00 in								
Alloy		ASTM A653, G50 (Fy= 50 ksi)								
Gauge		24 (0.024 in)								
ALLOWABLE STRENGTH DESIGN (ASD)										
Wind Load Factor = 1.0										
ALLOWABLE UNIFORM LOAD (PSF)										
SPAN	DEFLECTION	SPAN LENGTH (Feet)								
		2.00	2.25	2.50	2.75	3.00	3.25	3.50	3.75	4.00
1	L/180	177	139	113	93	78	66	57	49	43
	L/240	177	139	113	93	78	66	57	49	43
	L/360	177	139	113	93	78	66	57	49	42
2	L/180	177	139	113	93	78	66	57	49	43
	L/240	177	139	113	93	78	66	57	49	43
	L/360	177	139	113	93	78	66	57	49	43
3	L/180	200	159	129	107	90	76	66	57	50
	L/240	200	159	129	107	90	76	66	57	50
	L/360	200	159	129	107	90	76	66	57	50

- Formula's used in Load Tables for FLEXURE and DEFLECTION are:
 One Span - $M_p = .125wl^2$, $M_n = .125wl^2$, $x = .0130wl^4/EI$
 Two Span - $M_p = .125wl^2$, $M_n = .096wl^2$, $x = .0092wl^4/EI$
 Three Span - $M_p = .080wl^2$, $M_n = .107wl^2$, $x = .0069wl^4/EI$
 Modulus of Elasticity (E) = 29,500 ksi

- Allowable uniform loads are determined per the following:
 - Allowable Shear Stress (Fv) [AISI C3.2]
 - Combined Bending and Shear [AISI C3.3]
 - Combined Bending & Web Crippling [AISI C3.5]

- Factors of Safety used to determine uniform loads:
 - Ω (Bending) = 1.67
 - Ω (Shear) = 1.67
 - Ω (Web Crippling) = 1.85

4. Allowance has been made for member Dead Weight.

5. Minimum panel support bearing length = 2.00 in

- Concentrated load = 150 lb at mid-span, load width = 4 in
 - Simple Span : Max. Span = 4.453 ft (L/180)
 - Two Span : Max. Span = 5.363 ft (L/180)
 - Three Span +: Max. Span = 5.729 ft (L/180)

New Tech SS550 Snap Panel

		ALLOWABLE STRENGTH DESIGN (ASD)								
		Wind Load Factor = 1.0								
		ALLOWABLE UNIFORM LOAD (PSF)								
SPAN	DEFLECTION	SPAN LENGTH (Feet)								
		4.25	4.50	4.75	5.00	5.25	5.50	5.75	6.00	6.25
1	L/180	38	34	30	27	25	22	20	19	17
	L/240	38	34	30	27	25	22	20	19	17
	L/360	35	30	25	22	19	16	14	13	11
2	L/180	38	34	30	27	25	22	20	19	17
	L/240	38	34	30	27	25	22	20	19	17
	L/360	38	34	30	27	25	22	20	18	16
3	L/180	44	39	35	32	29	26	24	22	20
	L/240	44	39	35	32	29	26	24	22	20
	L/360	44	39	35	32	29	26	24	22	20

1. Formula's used in Load Tables for FLEXURE and DEFLECTION are:

One Span - $M_p = .125wl^2$, $M_n = .125wl^2$, $x = .0130wl^4/EI$
 Two Span - $M_p = .125wl^2$, $M_n = .096wl^2$, $x = .0092wl^4/EI$
 Three Span - $M_p = .080wl^2$, $M_n = .107wl^2$, $x = .0069wl^4/EI$
 Modulus of Elasticity (E) = 29,500 ksi

2. Allowable uniform loads are determined per the following:

- a) Allowable Shear Stress (Fv) [AISI C3.2]
- b) Combined Bending and Shear [AISI C3.3]
- c) Combined Bending & Web Crippling [AISI C3.5]

3. Factors of Safety used to determine uniform loads:

Ω (Bending) = 1.67
 Ω (Shear) = 1.67
 Ω (Web Crippling) = 1.85

4. Allowance has been made for member Dead Weight.

5. Minimum panel support bearing length = 2.00 in

6. Concentrated load = 150 lb at mid-span, load width = 4 in

Simple Span : Max. Span = 4.453 ft (L/180)
 Two Span : Max. Span = 5.363 ft (L/180)
 Three Span +: Max. Span = 5.729 ft (L/180)

New Tech SS550 Snap Panel

Width	16.00 in
Alloy	ASTM A653, G50 (Fy= 50 ksi)
Gauge	24 (0.024 in)

ALLOWABLE STRENGTH DESIGN (ASD)
Wind Load Factor = 1.0
ALLOWABLE UNIFORM LOAD (PSF)
SPAN LENGTH (Feet)

SPAN	DEFLECTION	SPAN LENGTH (Feet)								
		6.50	6.75	7.00	7.25	7.50	7.75	8.00	8.25	8.50
1	L/180	16	14	13	12	11	11	10	9	9
	L/240	15	13	12	11	10	9	8	7	7
	L/360	10	9	8	7	6	6	5	5	4
2	L/180	16	14	13	12	11	11	10	9	9
	L/240	16	14	13	12	11	11	10	9	9
	L/360	14	12	11	10	9	8	7	7	6
3	L/180	18	17	16	14	13	13	12	11	10
	L/240	18	17	16	14	13	13	12	11	10
	L/360	18	17	15	13	12	11	10	9	8

- Formula's used in Load Tables for FLEXURE and DEFLECTION are:
 One Span - $M_p = .125wl^2$, $M_n = .125wl^2$, $x = .0130wl^4/EI$
 Two Span - $M_p = .125wl^2$, $M_n = .096wl^2$, $x = .0092wl^4/EI$
 Three Span - $M_p = .080wl^2$, $M_n = .107wl^2$, $x = .0069wl^4/EI$
 Modulus of Elasticity (E) = 29,500 ksi
- Allowable uniform loads are determined per the following:
 - Allowable Shear Stress (Fv) [AISI C3.2]
 - Combined Bending and Shear [AISI C3.3]
 - Combined Bending & Web Crippling [AISI C3.5]
- Factors of Safety used to determine uniform loads:
 - Ω (Bending) = 1.67
 - Ω (Shear) = 1.67
 - Ω (Web Crippling) = 1.85
- Allowance has been made for member Dead Weight.
- Minimum panel support bearing length = 2.00 in
- Concentrated load = 150 lb at mid-span, load width = 4 in
 - Simple Span : Max. Span = 4.453 ft (L/180)
 - Two Span : Max. Span = 5.363 ft (L/180)
 - Three Span +: Max. Span = 5.729 ft (L/180)

New Tech SS550 Snap Panel

Width		18.00 in								
Alloy		ASTM A653, G50 (Fy= 50 ksi)								
Gauge		24 (0.024 in)								
ALLOWABLE STRENGTH DESIGN (ASD)										
Wind Load Factor = 1.0										
ALLOWABLE UNIFORM LOAD (PSF)										
SPAN	DEFLECTION	SPAN LENGTH (Feet)								
		2.00	2.25	2.50	2.75	3.00	3.25	3.50	3.75	4.00
1	L/180	157	124	100	83	69	59	50	44	38
	L/240	157	124	100	83	69	59	50	44	38
	L/360	157	124	100	83	69	59	50	44	38
2	L/180	157	124	100	83	69	59	50	44	38
	L/240	157	124	100	83	69	59	50	44	38
	L/360	157	124	100	83	69	59	50	44	38
3	L/180	178	141	115	95	80	68	58	51	45
	L/240	178	141	115	95	80	68	58	51	45
	L/360	178	141	115	95	80	68	58	51	45

- Formula's used in Load Tables for FLEXURE and DEFLECTION are:
 One Span - $M_p = .125wl^2$, $M_n = .125wl^2$, $x = .0130wl^4/EI$
 Two Span - $M_p = .125wl^2$, $M_n = .096wl^2$, $x = .0092wl^4/EI$
 Three Span - $M_p = .080wl^2$, $M_n = .107wl^2$, $x = .0069wl^4/EI$
 Modulus of Elasticity (E) = 29,500 ksi
- Allowable uniform loads are determined per the following:
 - Allowable Shear Stress (Fv) [AISI C3.2]
 - Combined Bending and Shear [AISI C3.3]
 - Combined Bending & Web Crippling [AISI C3.5]
- Factors of Safety used to determine uniform loads:
 - Ω (Bending) = 1.67
 - Ω (Shear) = 1.67
 - Ω (Web Crippling) = 1.85
- Allowance has been made for member Dead Weight.
- Minimum panel support bearing length = 2.00 in
- Concentrated load = 150 lb at mid-span, load width = 4 in
 - Simple Span : Max. Span = 4.462 ft (L/180)
 - Two Span : Max. Span = 5.311 ft (L/180)
 - Three Span +: Max. Span = 5.441 ft (L/180)

New Tech SS550 Snap Panel

Width	18.00 in
Alloy	ASTM A653, G50 (Fy= 50 ksi)
Gauge	24 (0.024 in)

ALLOWABLE STRENGTH DESIGN (ASD)

Wind Load Factor = 1.0

ALLOWABLE UNIFORM LOAD (PSF)

SPAN	DEFLECTION	SPAN LENGTH (Feet)								
		6.50	6.75	7.00	7.25	7.50	7.75	8.00	8.25	8.50
1	L/180	14	13	12	11	10	9	9	8	8
	L/240	13	12	11	10	9	8	7	7	6
	L/360	9	8	7	6	6	5	5	4	4
2	L/180	14	13	12	11	10	9	9	8	8
	L/240	14	13	12	11	10	9	9	8	8
	L/360	13	11	10	9	8	7	7	6	6
3	L/180	16	15	14	13	12	11	10	10	9
	L/240	16	15	14	13	12	11	10	10	9
	L/360	16	15	13	12	11	10	9	8	7

1. Formula's used in Load Tables for FLEXURE and DEFLECTION are:

One Span - $M_p = .125wl^2$, $M_n = .125wl^2$, $x = .0130wl^4/EI$
 Two Span - $M_p = .125wl^2$, $M_n = .096wl^2$, $x = .0092wl^4/EI$
 Three Span - $M_p = .080wl^2$, $M_n = .107wl^2$, $x = .0069wl^4/EI$
 Modulus of Elasticity (E) = 29,500 ksi

2. Allowable uniform loads are determined per the following:

- a) Allowable Shear Stress (Fv) [AISI C3.2]
- b) Combined Bending and Shear [AISI C3.3]
- c) Combined Bending & Web Crippling [AISI C3.5]

3. Factors of Safety used to determine uniform loads:

Ω (Bending) = 1.67
 Ω (Shear) = 1.67
 Ω (Web Crippling) = 1.85

4. Allowance has been made for member Dead Weight.

5. Minimum panel support bearing length = 2.00 in

6. Concentrated load = 150 lb at mid-span, load width = 4 in

Simple Span : Max. Span = 4.462 ft (L/180)
 Two Span : Max. Span = 5.311 ft (L/180)
 Three Span +: Max. Span = 5.441 ft (L/180)

New Tech SS550 Snap Panel

Width		=====								
Width	18.00 in									
Alloy	ASTM A653, G50 (Fy= 50 ksi)									
Gauge	24 (0.024 in)									
		=====								
		ALLOWABLE STRENGTH DESIGN (ASD)								
		Wind Load Factor = 1.0								
		ALLOWABLE UNIFORM LOAD (PSF)								
SPAN	DEFLECTION	SPAN LENGTH (Feet)								
		4.25	4.50	4.75	5.00	5.25	5.50	5.75	6.00	6.25
1	L/180	34	30	27	24	22	20	18	16	15
	L/240	34	30	27	24	22	20	18	16	15
	L/360	32	27	23	19	17	15	13	11	10
2	L/180	34	30	27	24	22	20	18	16	15
	L/240	34	30	27	24	22	20	18	16	15
	L/360	34	30	27	24	22	20	18	16	14
3	L/180	39	35	31	28	25	23	21	19	18
	L/240	39	35	31	28	25	23	21	19	18
	L/360	39	35	31	28	25	23	21	19	18

- Formula's used in Load Tables for FLEXURE and DEFLECTION are:
 One Span - $M_p = .125wl^2$, $M_n = .125wl^2$, $x = .0130wl^4/EI$
 Two Span - $M_p = .125wl^2$, $M_n = .096wl^2$, $x = .0092wl^4/EI$
 Three Span - $M_p = .080wl^2$, $M_n = .107wl^2$, $x = .0069wl^4/EI$
 Modulus of Elasticity (E) = 29,500 ksi
- Allowable uniform loads are determined per the following:
 - Allowable Shear Stress (Fv) [AISI C3.2]
 - Combined Bending and Shear [AISI C3.3]
 - Combined Bending & Web Crippling [AISI C3.5]
- Factors of Safety used to determine uniform loads:
 - Ω (Bending) = 1.67
 - Ω (Shear) = 1.67
 - Ω (Web Crippling) = 1.85
- Allowance has been made for member Dead Weight.
- Minimum panel support bearing length = 2.00 in
- Concentrated load = 150 lb at mid-span, load width = 4 in
 - Simple Span : Max. Span = 4.462 ft (L/180)
 - Two Span : Max. Span = 5.311 ft (L/180)
 - Three Span +: Max. Span = 5.441 ft (L/180)

