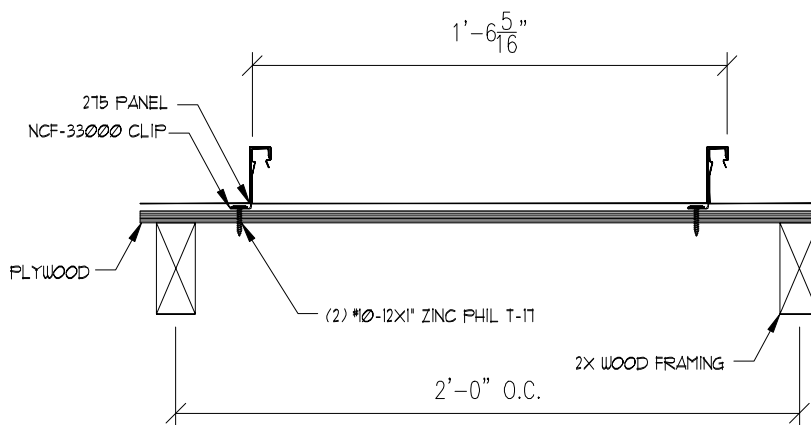
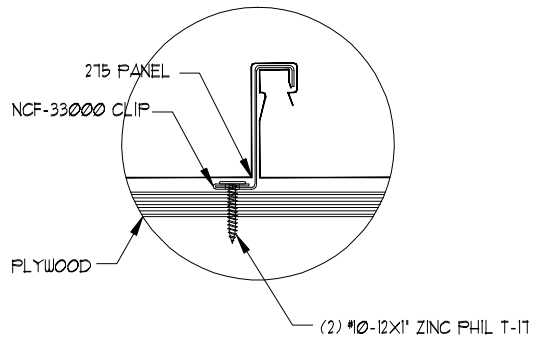
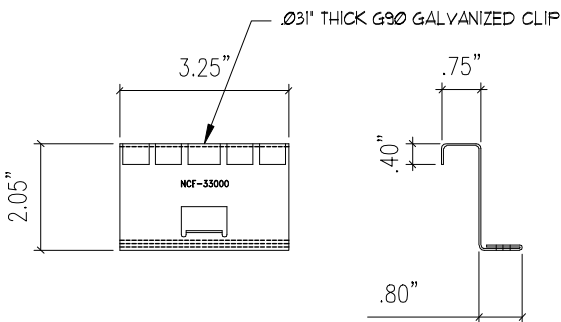
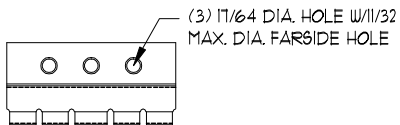
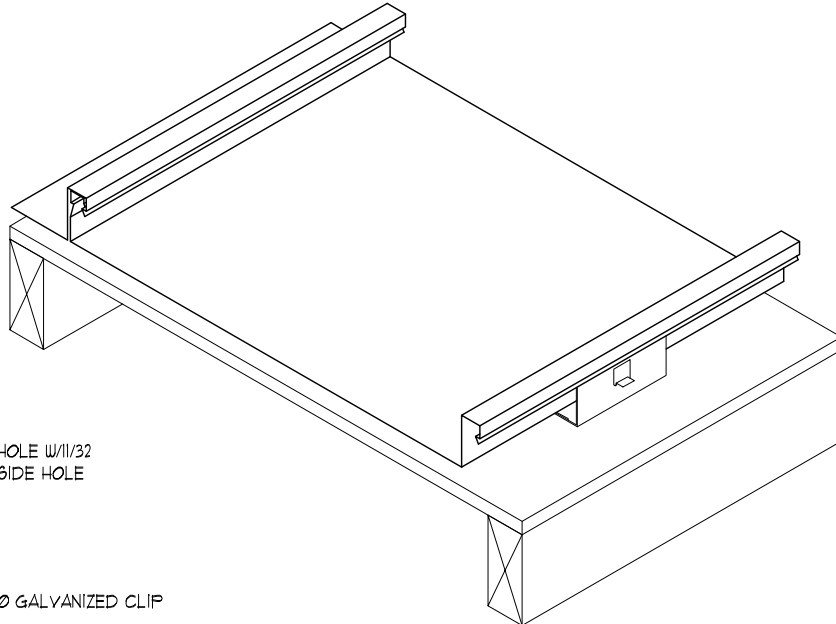


| | | | | | |
|-------------|-----------------------------------|-----|----|----------|--------------|
| PROJECT: | UL TESTING | REV | BY | DATE | DESCRIPTION |
| LOCATION: | KARR BLDG. SUPPLY & SERVICES, LLC | A | AF | 05/01/14 | OVER PLYWOOD |
| CONTRACTOR: | | | | | |



| | |
|--------------------|----------------------------|
| DRAWN BY: AF | DATE DRAWN: 05/01/14 |
| CHECKED BY: TW | DATE CHECKED: 05/01/14 |
| APPROVED BY: TW | DATE APPROVED: 05/01/14 |



| | |
|---------|-------------|
| JOB NO: | 78-0092T-14 |
| DWG NO: | 275 PANEL |
| REV NO: | A |