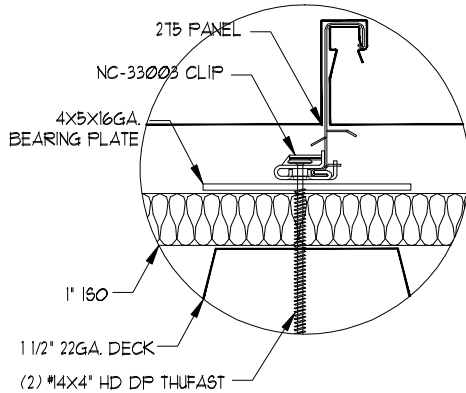
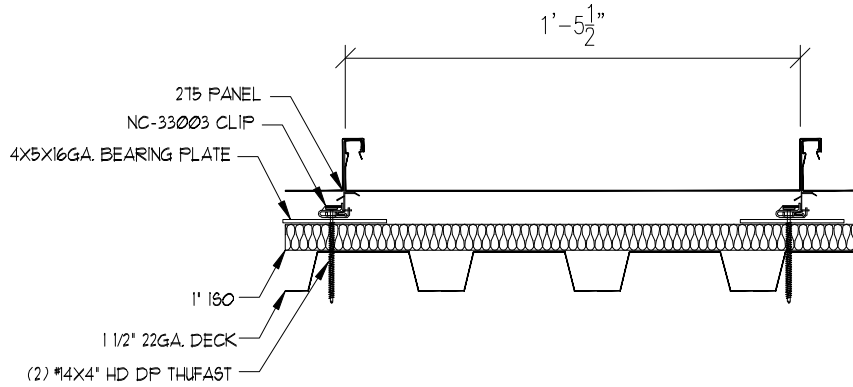
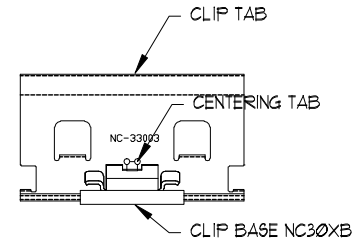
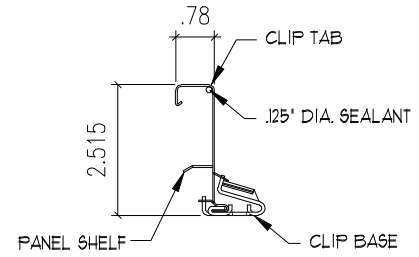
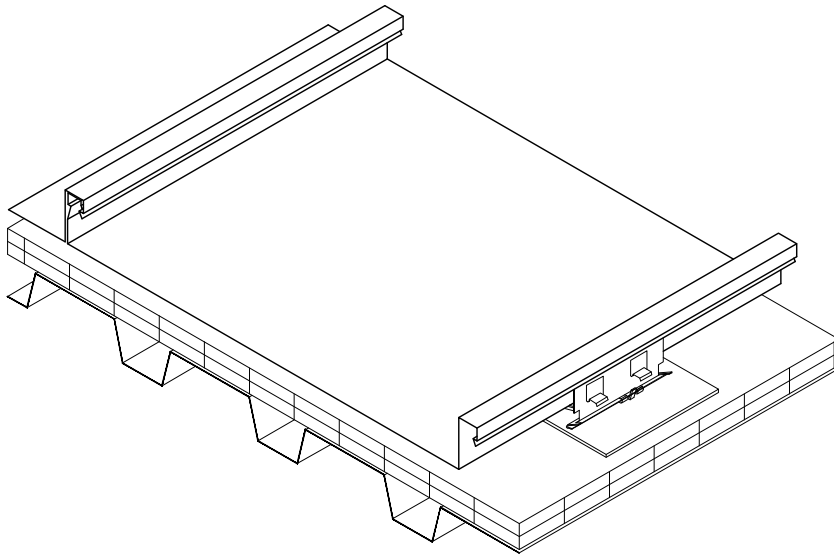
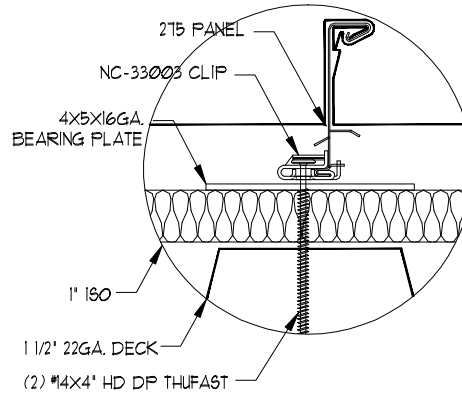


PROJECT:	UL TESTING	REV	BY	DATE	DESCRIPTION
LOCATION:	KARR BLDG. SUPPLY & SERVICES, LLC	A	AF	05/01/14	OVER METAL DECK
CONTRACTOR:					

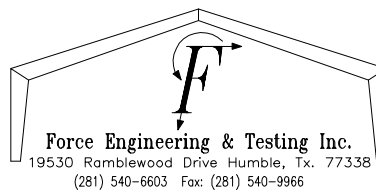


CROSS SECTION BEFORE SEAMING



CROSS SECTION AFTER SEAMING

DRAWN BY:	DATE DRAWN:
AF	05/01/14
CHECKED BY:	DATE CHECKED:
TW	05/01/14
APPROVED BY:	DATE APPROVED:
TW	05/01/14



JOB NO:	78-0090T-14
DWG NO:	275 PANEL
REV NO:	A